

Actuation Centre - Actuated Valves Series 902P

3way Side Entry Brass Ball Valve Pneumatic Actuated



Main Features :-

Full bore ball valve	Available with single acting
Nickel plated	Double acting actuator
L port or T port	Switchbox
NBR seals	Solenoid
Female BSP ends	Electro pneumatic positioner
1/2" to 2"	Assembled and Tested
Direct Mount	8 bar rated



TYPE: 902P PNEUMATIC

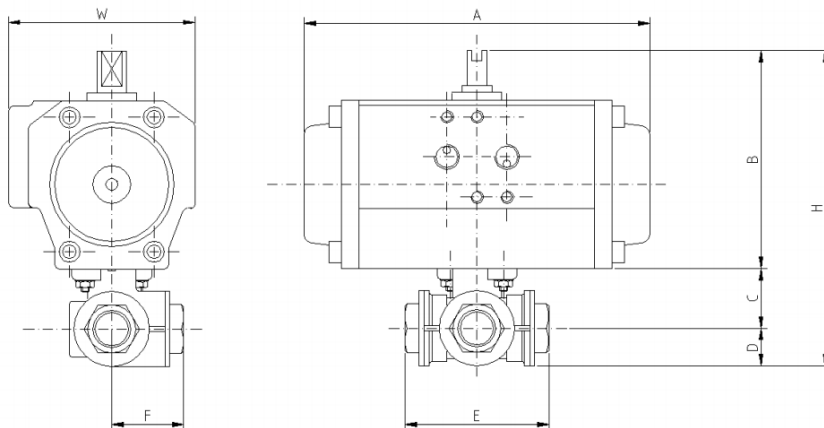
Technical Specifications and Key Dimensions:

Specifications:	
Actuator housing:	Hard anodised aluminium
Actuator ATEX rating:	ATEX II 2GD EExd
Actuator Temp rating:	-20 +80C
Actuator pressure rating:	8 bar Max
Valve Approval:	None
Valve ends available:	BSP Female
Size range:	1/2" to 2"
Valve temp limits:	-10 to +100C
Valve pressure limits:	40 bar at ambient temperature

Assembly Overview:-

A cost effective pneumatically operated brass ball valve available in double acting (air to open air to close) or single acting (failsafe, air to open spring to close). NBR seals make this valve suitable for use with oil based applications.

Don't forget your Switchboxes and / or Solenoid valve accessories.



Size	Double Acting		Single Acting	
	E	H	E	H
1/2"	82	122.5	82	122.5
3/4"	90	125.5	90	122.5
1"	106	135	106	106
1 1/4"	120	139	120	139
1 1/2"	142	145	142	145
2"	165	152	165	180

ISO 9001:2015 Accredited Company

Tel: +44(0)1386 552369

Fax: +44(0)1386 554227

sales@allvalves.co.uk

www.allvalves.co.uk

Allvalves Online Ltd, Automation House, Unit 2, Pershore, WR10 2DF UK

*Please note that all datasheet are generally generic and are subject to change without prior notice. They are for reference only.